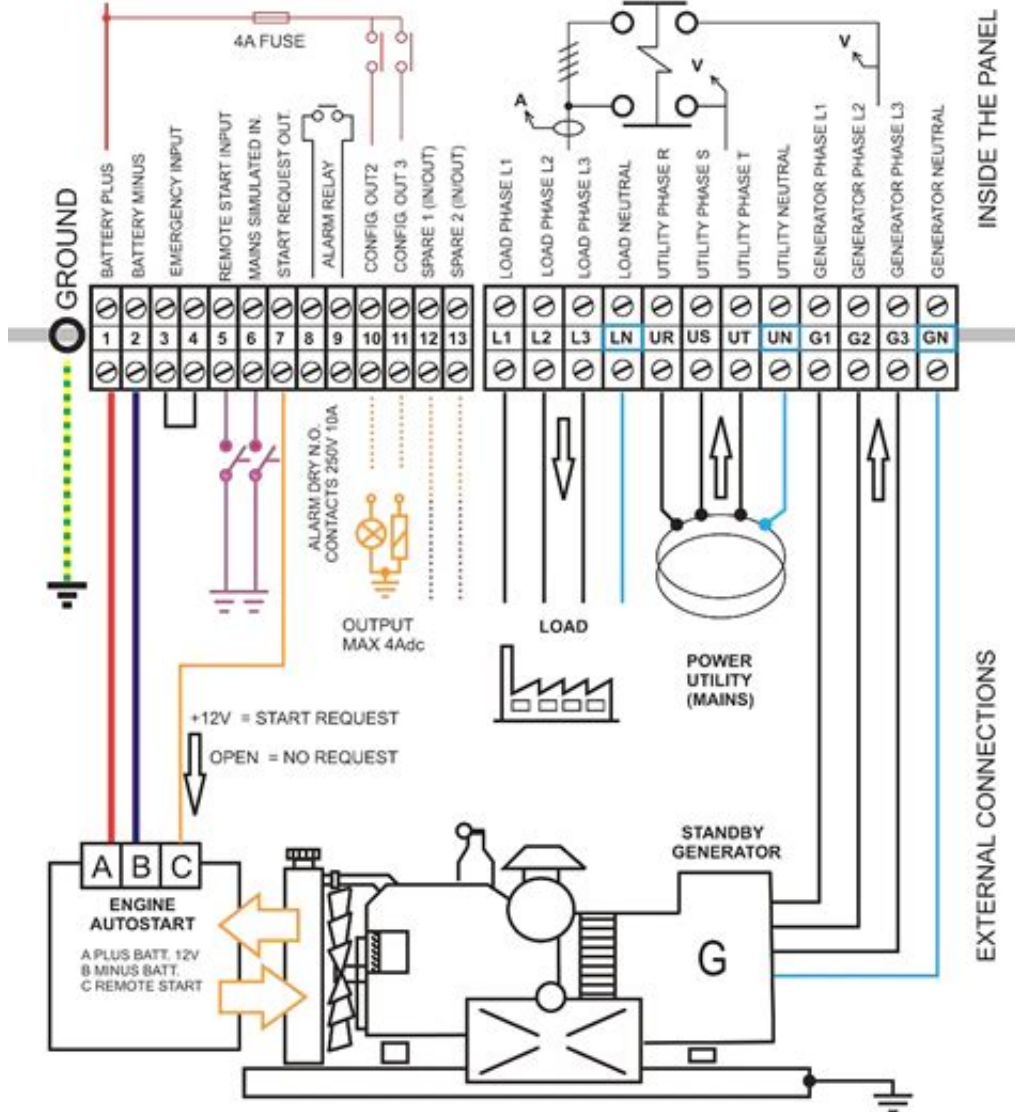




[Generac Startup Code](#)

Be28 ATS PANEL RECOMMENDED WIRING DIAGRAM



Be28 ATS [FIELD] PANEL BERNINI DESIGN	Nominal Voltage 400Vac Operating Voltage 330/460Vac Nominal Current Short Circuit [FIELD] Power Rating Frequency 45/65Hz Isolation Voltage 1kVac Vdc Supply 8-15Vdc	Ingress Protection IP65 Ref. Standard Electrical Life Oper. Temperature Dim./Weigh Date / Code	IP65 IEC/EN 61439 1.....7 IEC60529 BS EN61010 EMC EU DIRECTIVE 50.000 -20/+60 deg. Celsius 700x500x250mm / 32Kg 4 JAN 2015 / ATSBE28060001	
	<p>ALARM DRY N.O. CONTACTS 250V 10A</p> <p>OUTPUT MAX 4A dc</p> <p>+12V = START REQUEST</p> <p>OPEN = NO REQUEST</p>			

[Generac Startup Code](#)



Unsubscribe from EvilRSA? Cancel Unsubscribe Subscribe Subscribed Unsubscribe 44.. 5 LRKVA per horsepower upon starting (50 hp x 5 59 LRKVA per hp = 279 5 LRKVA/hp).

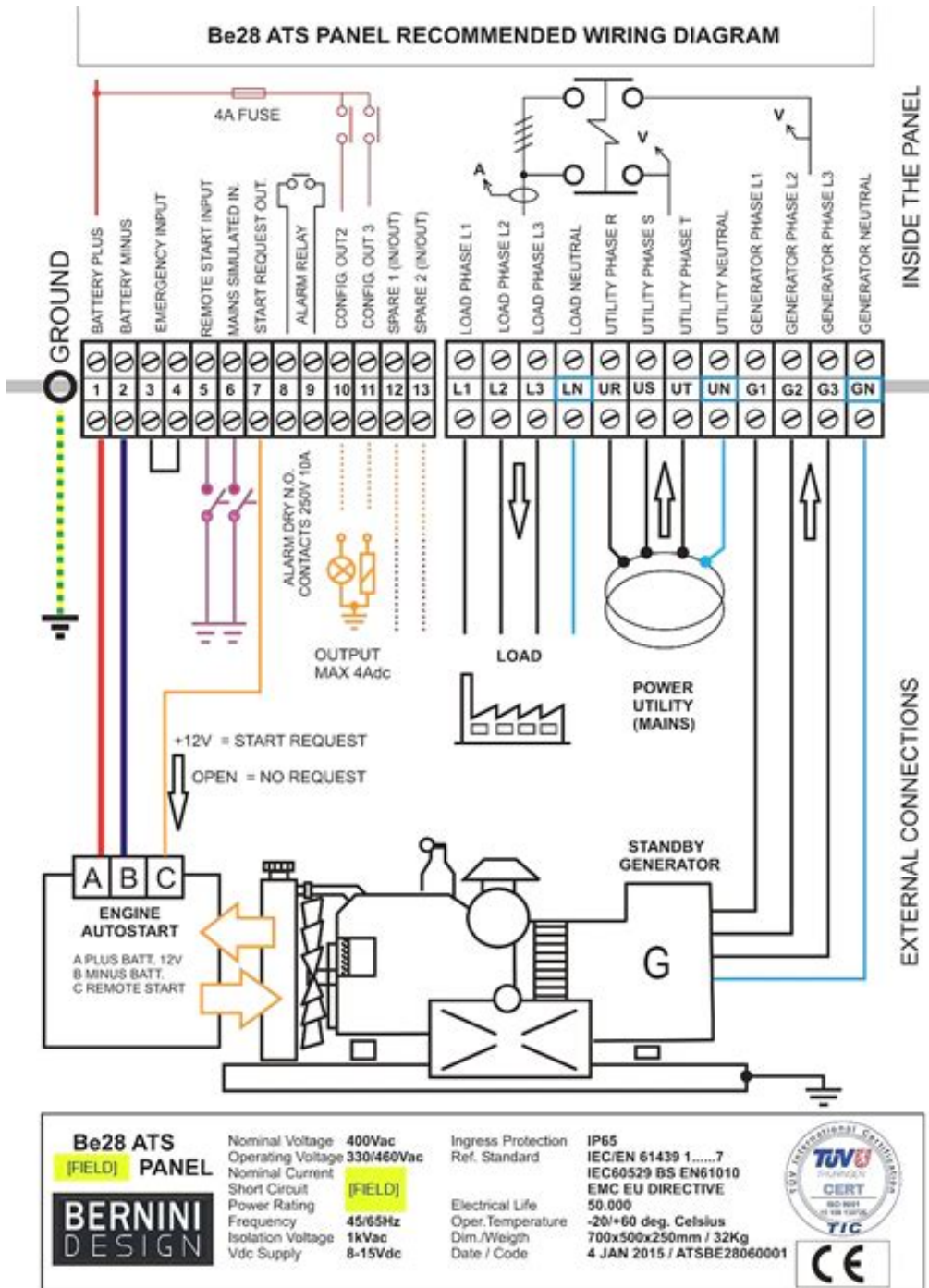
[1. generac startup code](#)

Margot robbie When you recognize elements and know what and how to do, it becomes much easier to fix the problem.. • Do not overfill the fuel tank as it might get into the hot engine and cause fire or explosion.. Generac Generator Troubleshooting Generac generator troubleshooting guide Top five reasons why your Generac generator doesn't work and how to troubleshoot.

generac startup code

generac startup code [How To Prevent Host Profiles From Prompting For Mac](#)

The manual will also show you how to avoid situations such as electrical, fire and explosion hazards.. • Connect the generator per manual guide The best way to connect the electrical loads is by using the transfer switch.. Apr 18, 2011 Generac generator - RPM sensor issue - FIXED, check Description.. • Use the electrical loads per specs • Let the engine run for few minutes after starting so it can stabilize and warm up.. This Generac portable generator troubleshooting guide is my contribution in helping you solve the problem. [Hack a website with sql injection tutorials](#)



[Download](#)

[Install Directv Player Mac](#)

[Diamond Audio Technology Driver Download](#)

• Never operate the generator inside and near open windows • Never start or stop the generator engine with the electrical devices plugged in and turned on.. LRKVA is also known as “starting KVA” or “SKVA ” Small motors have a higher NEMA code letter and correspondingly higher LRKVA-per-horsepower requirement than large motors.. 18(B) Installation may require a controller firmware update For example, a 50 hp Code F motor requires 279. [Webcamax For Mac Os](#)

[Gta Iv Pc Patch 1 0 7 0 Crackle](#)

Troubleshooting Tips The first thing I recommend, before you start working on troubleshooting a Generac generator is to read the manual thoroughly.. The manual cover directions how properly to install the unit, safely operate and handle the unit, and much more.. And this is where the root cause for possible problems is Generac generator troubleshooting words of caution • The national code requires you properly to ground the generator.. Activate Generac GeneratorGenerac Startup CodeGenerac Power Systems supplies their Engine Shutdown Add-On Kit to bring Generac standby generators into compliance with NEC article 445.. • Do not overload the unit as it may harm the generator and connected electrical devices.. Be familiar with the generator components, explore the pictures, features and the specs.. Proper installation and regular maintenance are very important for reliable and safe generator work. cea114251b [online pdf to word converter without free download](#)

cea114251b

[Tamil Songs Avi Format Download](#)